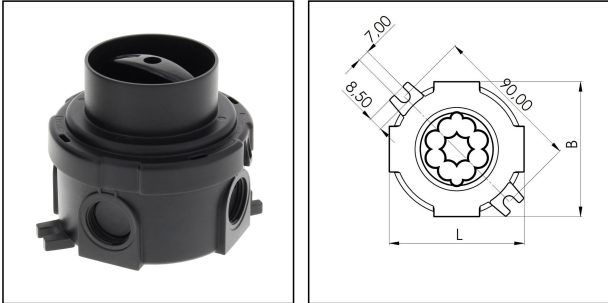


COMBI 304 SWITCH RS/6-1 BK

Rotary switch surface mounting, Change-over switch 1-pole plastic black, IP66/67



Products may differ in size, colour and appearance to those shown. If you require further information or customisation, please contact us directly.

WISKA-Order no.	10110649
Type	COMBI 304 SWITCH RS/6-1 BK
Voltage max. (V)	250 V
Current	16 A
Protection class	IP66 / IP67
Glow wire test	750 °C
Material	Polypropylene
Type of cable gland	M 20 x 1,5
Mounting	Surface mounting
Temp. range min	-30 °C
Temp. range max	55 °C
Type of switch	Change-over, 1-pole
Colour	Black
Variations	on request

Spare parts

SP-1843 Change-over switch 6/1, 1-pol.	22000356
---	----------

24.02.2025

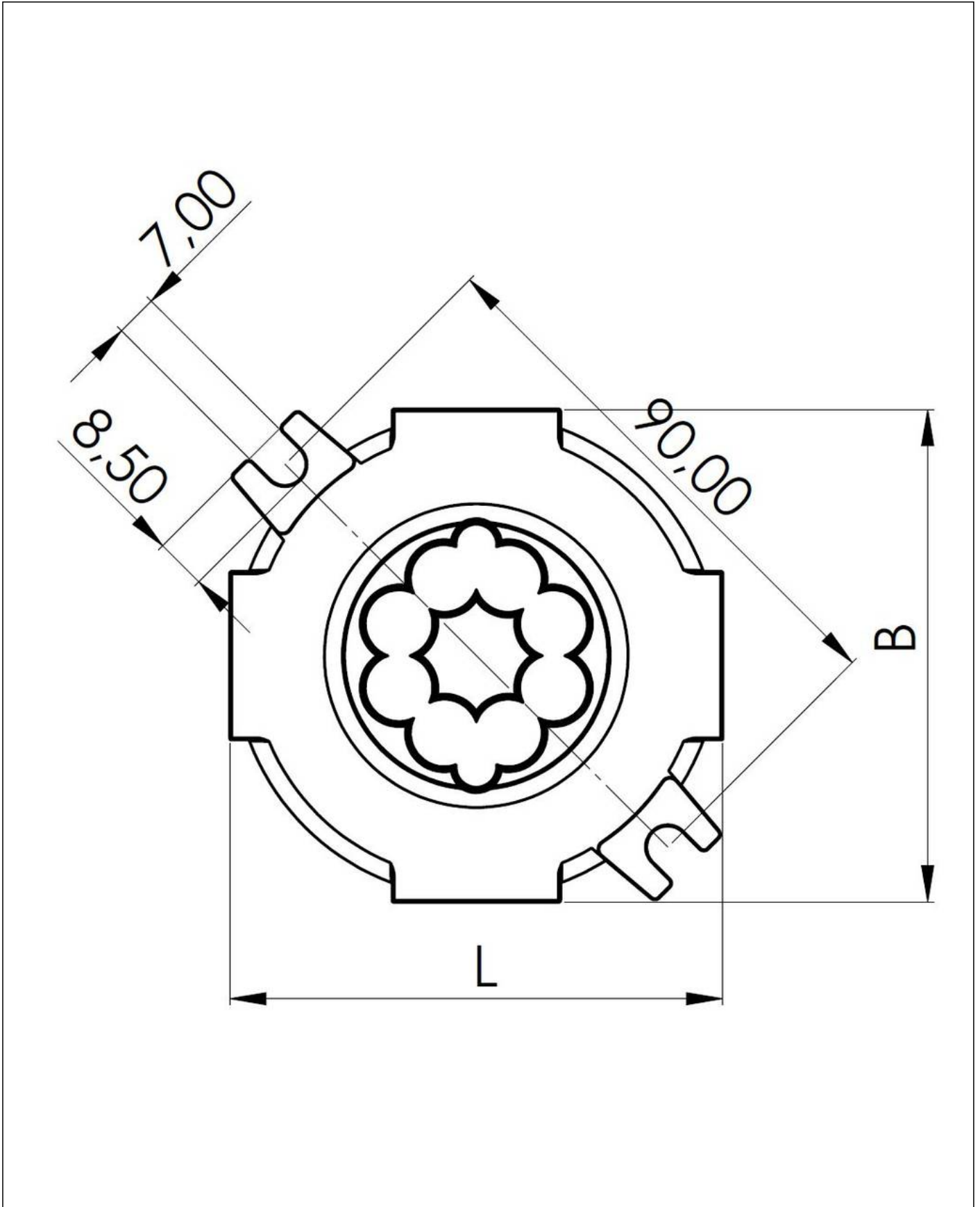
Your Contact:

WISKA Hoppmann GmbH

Kisdorfer Weg 28 · 24568 Kaltenkirchen · Germany

☎ +49-4191-508-0 · 📠 +49-4191-508-209

contact@wiska.de · www.wiska.com



Your Contact:

WISKA Hoppmann GmbH

Kisdorfer Weg 28 · 24568 Kaltenkirchen · Germany

☎ +49-4191-508-0 · 📠 +49-4191-508-209

contact@wiska.de · www.wiska.com