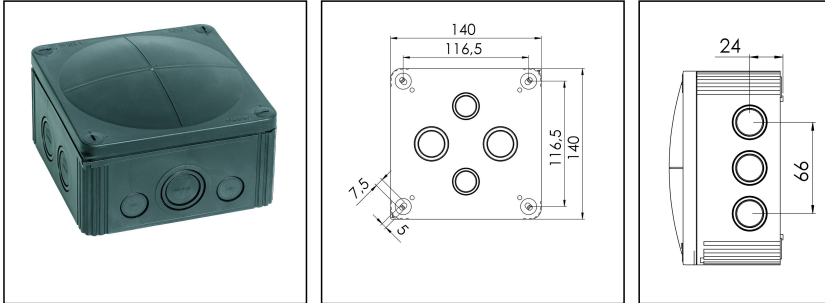



COMBI MAR 1010 BK

Junction Box 140x140x82mm, Polypropylene, RAL 9005



Products may differ in size, colour and appearance to those shown. If you require further information or customisation, please contact us directly.



Material	Polypropylene
Material sealing gasket	TPE
Temp. range min	-30 °C
Temp. range max	100 °C
Temperatures during install.	-5 °C - 60 °C
Protection class	IP66 / IP67
Glow wire test	960 °C
Voltage	690 V
Rated cross section	10 mm ²
Fixing	4 internal openings
External dimensions LxWxH	140 x 140 x 82 mm
Using for cable gland	
Product Color	RAL 9005
WISKA-Order no.	10111030
Type	COMBI MAR 1010 BK
Packing unit	2
ETIM-Classification	EC002600

Remarks:

Mounting: 4 internal openings outside of the sealing area

Equipment: 10 knockouts side 5x M25/M32; 2x M20; 3x M20/M25

4 knockouts in the bottom 2x M25/M32; 2x M20/M25

4 captive cover screws

including QUIXX EMS self-sealing membrane screw 2x M25; 1x M32

Your Contact:

WISKA Hoppmann GmbH

Kisdorfer Weg 28 · 24568 Kaltenkirchen · Germany

☎ +49-4191-508-0 · 📠 +49-4191-508-209

contact@wiska.de · www.wiska.com

Recommended accessories

DIN Rail Kit - COMBI 1010/TS35	10060363
MP-L Mounting plate large COMBI / WHK	10105775
External mounting - COMBI LG	10108836
SP-HKT 1010 Terminal block	22000408

09.09.2024

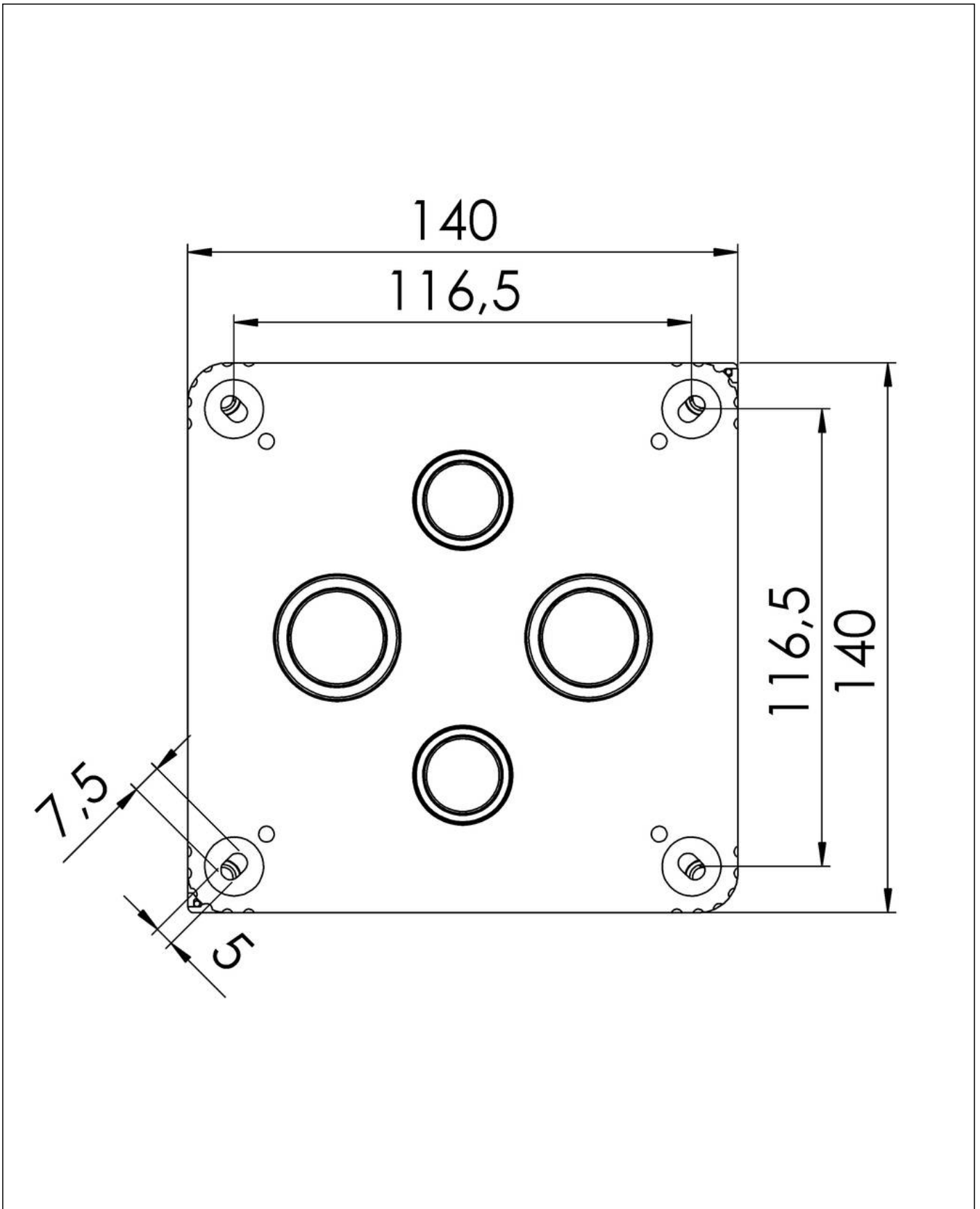
Your Contact:

WISKA Hoppmann GmbH

Kisdorfer Weg 28 · 24568 Kaltenkirchen · Germany

☎ +49-4191-508-0 · 📠 +49-4191-508-209

contact@wiska.de · www.wiska.com



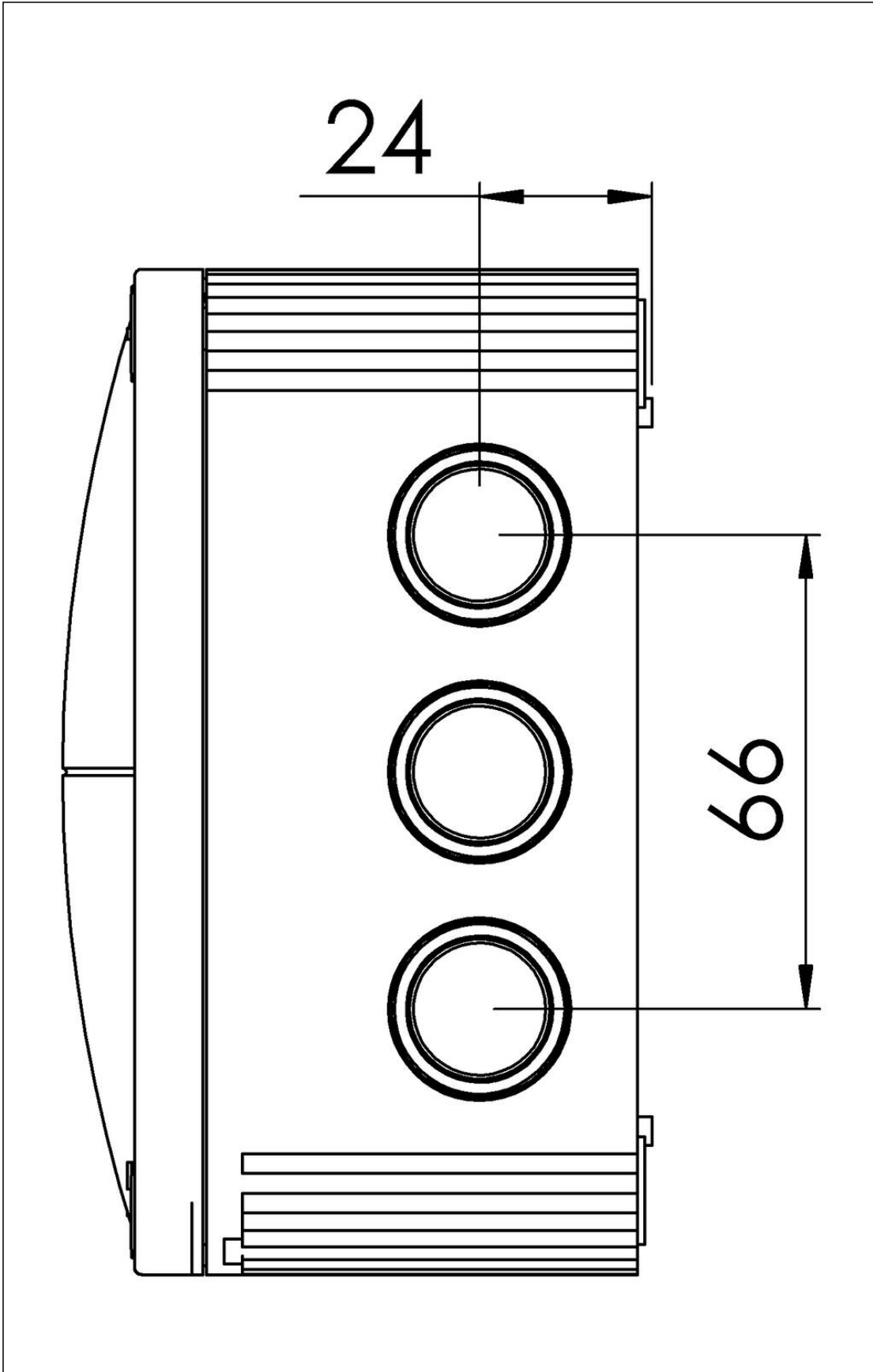
Your Contact:

WISKA Hoppmann GmbH

Kisdorfer Weg 28 · 24568 Kaltenkirchen · Germany

☎ +49-4191-508-0 · 📠 +49-4191-508-209

contact@wiska.de · www.wiska.com



Your Contact:

WISKA Hoppmann GmbH

Kisdorfer Weg 28 · 24568 Kaltenkirchen · Germany

☎ +49-4191-508-0 · 📠 +49-4191-508-209

✉ contact@wiska.de · www.wiska.com