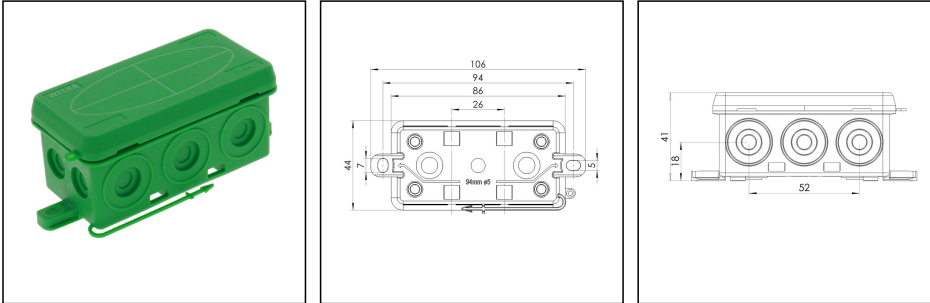


KA 006/5 GN

Junction box 86x44x41mm, plastic, RAL 6024, with terminal block



Products may differ in size, colour and appearance to those shown. If you require further information or customisation, please contact us directly.



| | |
|-------------------------------------|------------------------------|
| Material | Polyethylene / Polypropylene |
| Protection class | IP55 |
| Temp. range min | -30 °C |
| Temp. range max | 60 °C |
| Temperatures during install. | -5 °C - 60 °C |
| Glow wire test | 750 °C |
| Voltage | 400 V |
| Rated cross section | 1,5 mm ² |
| Terminals/poles | 5-pole, 1,5 mm ² |
| Fixing | 2 external mounting feet |
| Ø cable diameter min | 7 mm |
| Ø cable diameter max | 12 mm |
| External dimensions LxWxH | 86 x 44 x 41 mm |
| Using for cable gland | |
| Product Color | RAL 6024 |
| WISKA-Order no. | 10109585 |
| Type | KA 006/5 GN |
| Packing unit | 10 |
| EAN number | 4007686094862 |
| Tariff number | 85369010 |
| ETIM-Classification | EC002600 |

Remarks:

Fixture: with cable ties, 2 external mounting feet

Your Contact:

WISKA Hoppmann GmbH

Kisdorfer Weg 28 · 24568 Kaltenkirchen · Germany

☎ +49-4191-508-0 · 📠 +49-4191-508-209

contact@wiska.de · www.wiska.com

Equipment:

- 10 self-sealing, cutable cable entries at the side, 2 on the bottom
- captive cover
- with terminal block 5-poles, 1,5mm²

Recommended accessories

| | |
|--------------|----------|
| ZER 4-12 LG | 10109800 |
| ESD 30 LG | 10109875 |
| ESV LG | 10109876 |
| EDV LG | 10109877 |
| ZER 11-18 LG | 10110766 |

Spare parts

| | |
|---------------------------|----------|
| SP-KT 11/5 Terminal block | 22000409 |
|---------------------------|----------|

26.03.2024

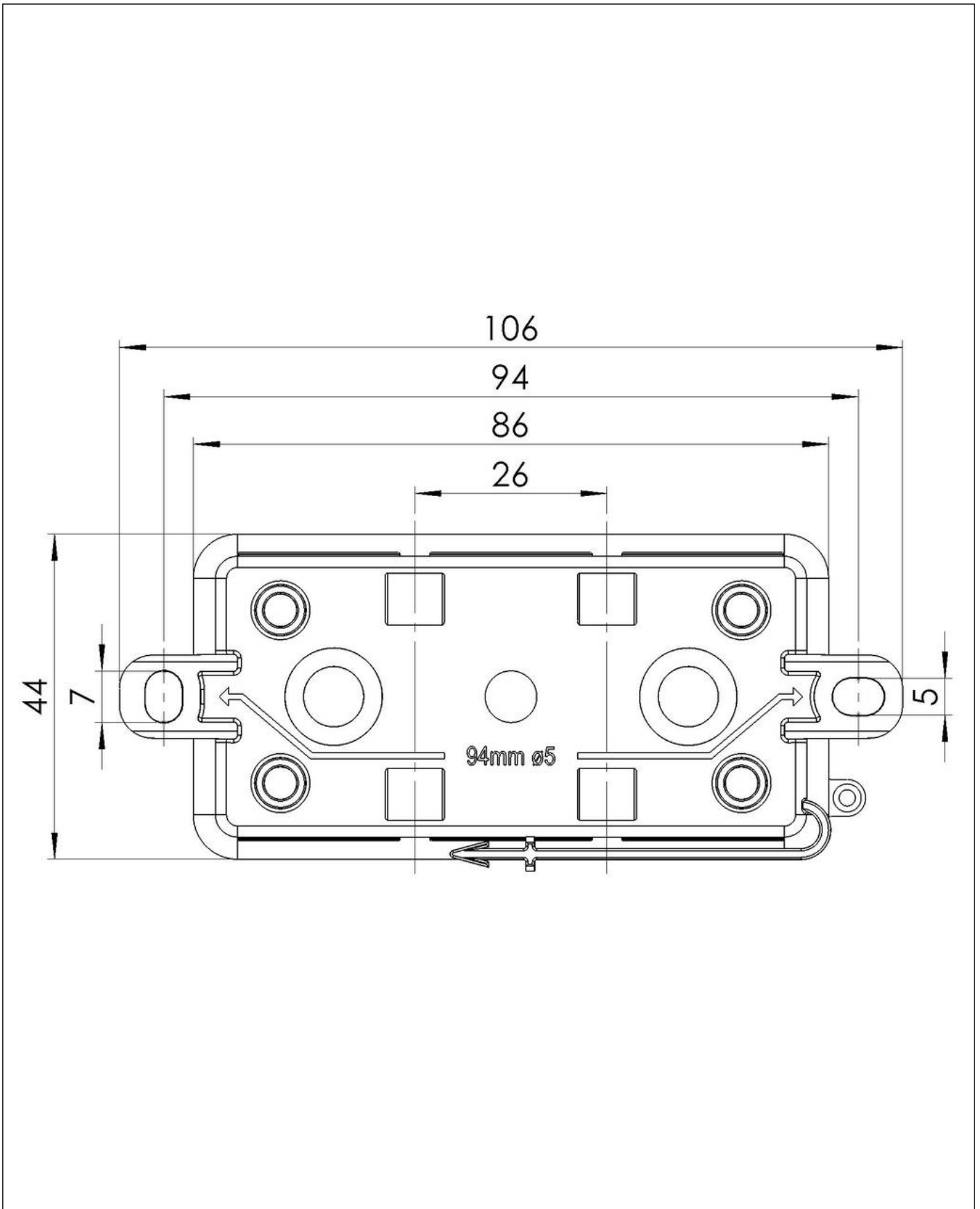
Your Contact:

WISKA Hoppmann GmbH

Kisdorfer Weg 28 · 24568 Kaltenkirchen · Germany

☎ +49-4191-508-0 · 📠 +49-4191-508-209

contact@wiska.de · www.wiska.com



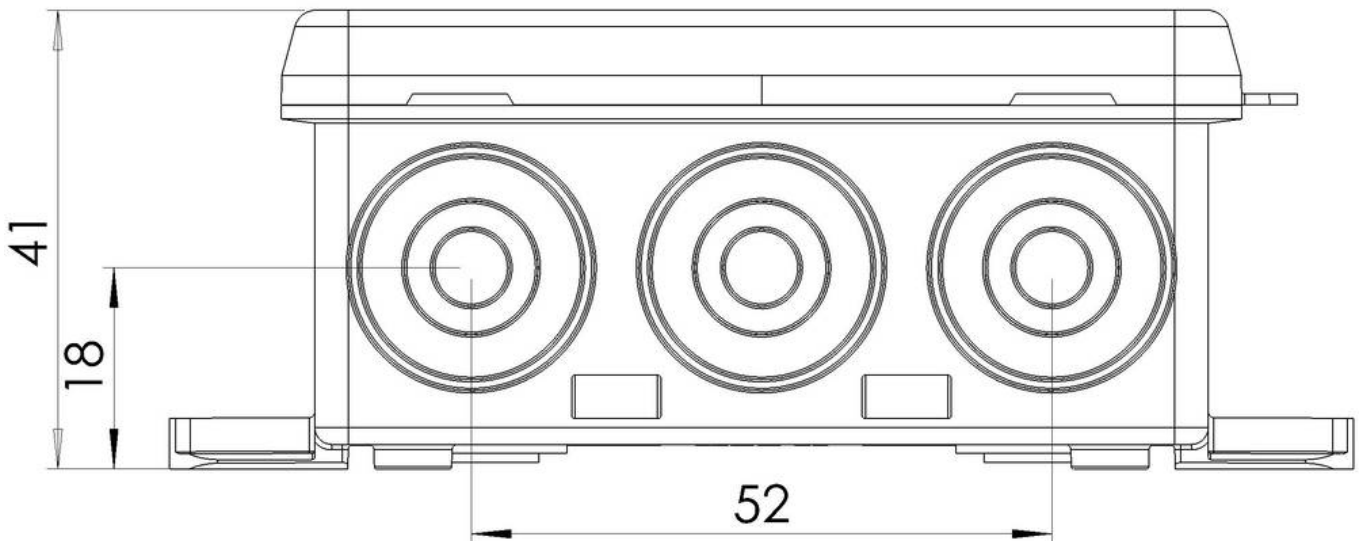
Your Contact:

WISKA Hoppmann GmbH

Kisdorfer Weg 28 · 24568 Kaltenkirchen · Germany

☎ +49-4191-508-0 · 📠 +49-4191-508-209

contact@wiska.de · www.wiska.com



Your Contact:

WISKA Hoppmann GmbH

Kisdorfer Weg 28 · 24568 Kaltenkirchen · Germany

☎ +49-4191-508-0 · 📠 +49-4191-508-209

contact@wiska.de · www.wiska.com