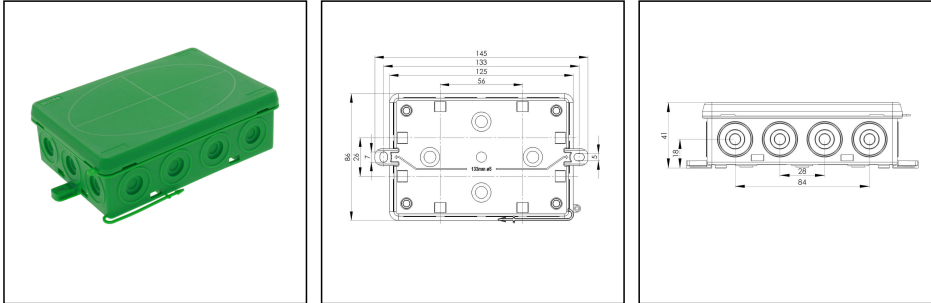


## KA 016 GN

Junction box 125x86x41mm, plastic, RAL 6024



Products may differ in size, colour and appearance to those shown. If you require further information or customisation, please contact us directly.



|                                     |                              |
|-------------------------------------|------------------------------|
| <b>Material</b>                     | Polyethylene / Polypropylene |
| <b>Protection class</b>             | IP55                         |
| <b>Temp. range min</b>              | -30 °C                       |
| <b>Temp. range max</b>              | 60 °C                        |
| <b>Temperatures during install.</b> | -5 °C - 60 °C                |
| <b>Glow wire test</b>               | 750 °C                       |
| <b>Voltage</b>                      | 400 V                        |
| <b>Rated cross section</b>          | 6 mm <sup>2</sup>            |
| <b>Fixing</b>                       | 2 external mounting feet     |
| <b>Ø cable diameter min</b>         | 7 mm                         |
| <b>Ø cable diameter max</b>         | 12 mm                        |
| <b>External dimensions LxWxH</b>    | 125 x 86 x 41 mm             |
| <b>Using for cable gland</b>        |                              |
| <b>Product Color</b>                | RAL 6024                     |
| <b>WISKA-Order no.</b>              | 10109602                     |
| <b>Type</b>                         | KA 016 GN                    |
| <b>Packing unit</b>                 | 10                           |
| <b>EAN number</b>                   | 4007686095227                |
| <b>Tariff number</b>                | 39269097                     |
| <b>ETIM-Classification</b>          | EC002600                     |

Remarks:

Fixture: with cable ties, 2 external mounting feet

Equipment:

- 14 self-sealing, cutable cable entries at the side, 4 on the bottom

Your Contact:

**WISKA Hoppmann GmbH**

Kisdorfer Weg 28 · 24568 Kaltenkirchen · Germany

☎ +49-4191-508-0 · 📠 +49-4191-508-209

contact@wiska.de · www.wiska.com

- captive cover

## Recommended accessories

|                           |          |
|---------------------------|----------|
| ZER 4-12 LG               | 10109800 |
| ESD 30 LG                 | 10109875 |
| ESV LG                    | 10109876 |
| EDV LG                    | 10109877 |
| ZER 11-18 LG              | 10110766 |
| SP-KT 11/5 Terminal block | 22000409 |

20.03.2024

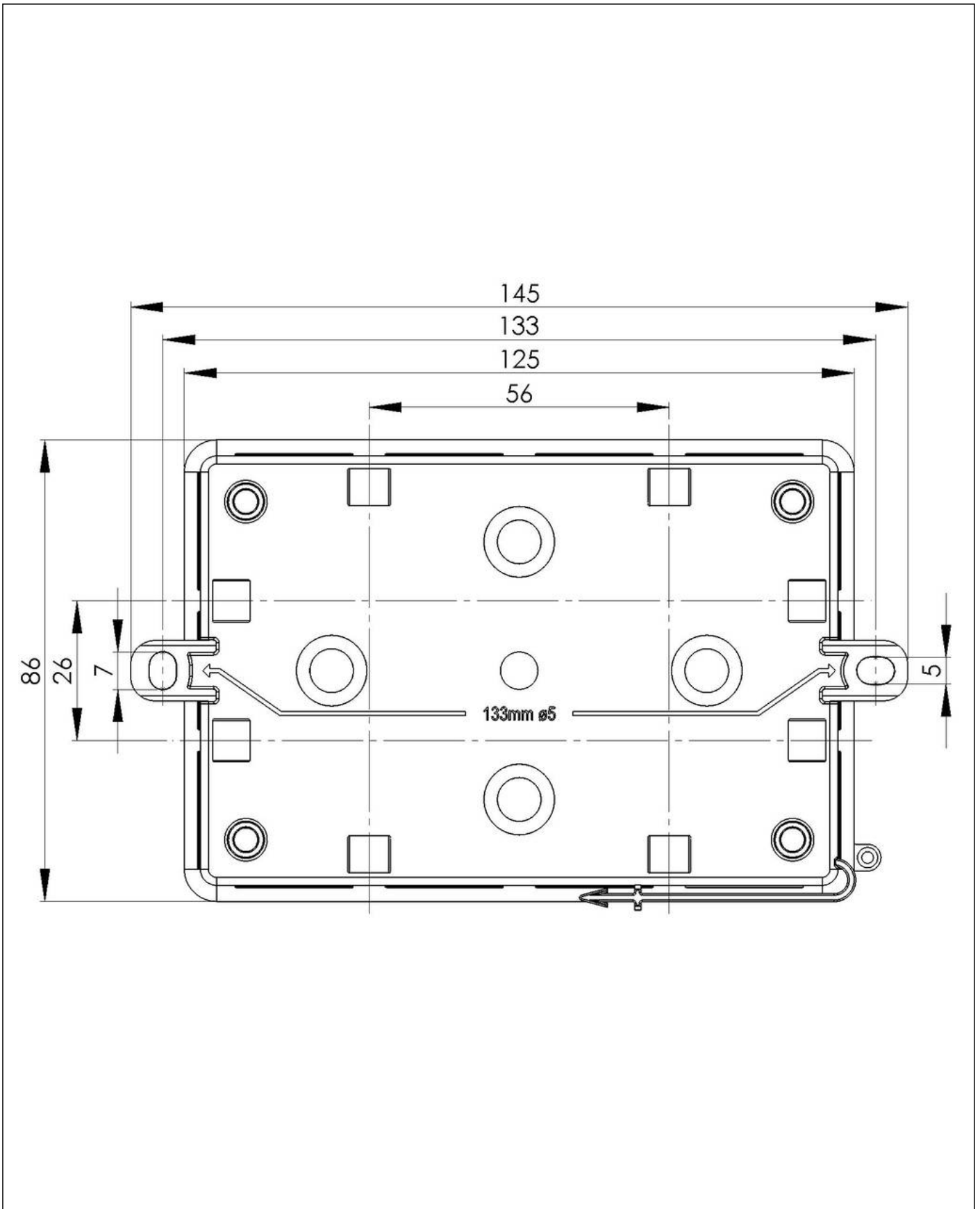
Your Contact:

**WISKA Hoppmann GmbH**

Kisdorfer Weg 28 · 24568 Kaltenkirchen · Germany

☎ +49-4191-508-0 · 📠 +49-4191-508-209

contact@wiska.de · www.wiska.com



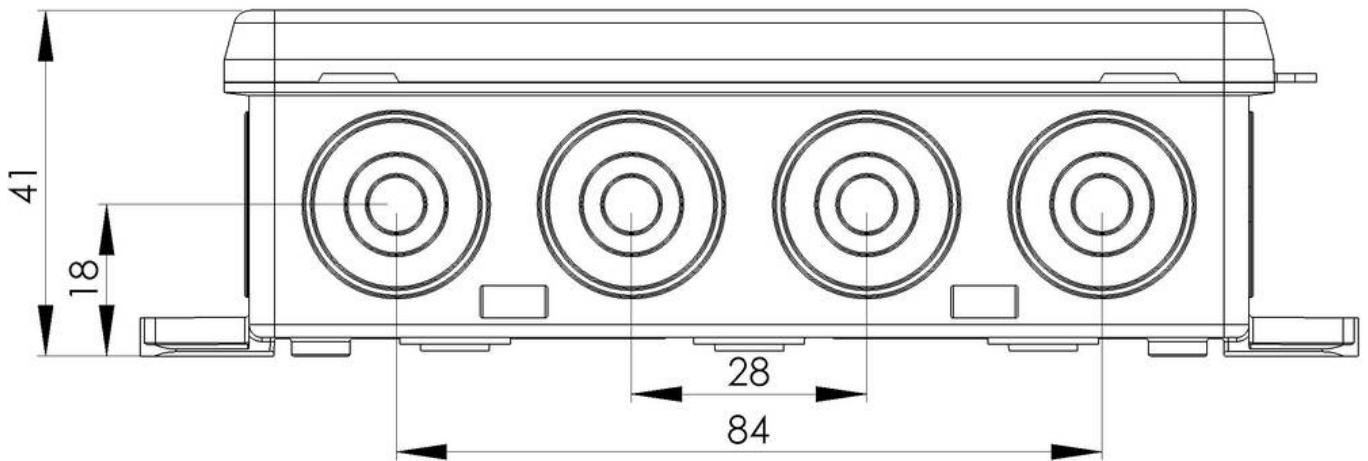
Your Contact:

**WISKA Hoppmann GmbH**

Kisdorfer Weg 28 · 24568 Kaltenkirchen · Germany

☎ +49-4191-508-0 · 📠 +49-4191-508-209

contact@wiska.de · www.wiska.com



Your Contact:

**WISKA Hoppmann GmbH**

Kisdorfer Weg 28 · 24568 Kaltenkirchen · Germany

☎ +49-4191-508-0 · 📠 +49-4191-508-209

contact@wiska.de · www.wiska.com