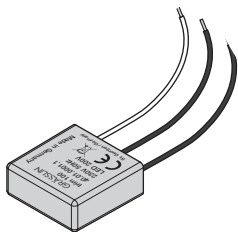


# GRÄSSLIN



trim 100  
Dimmer

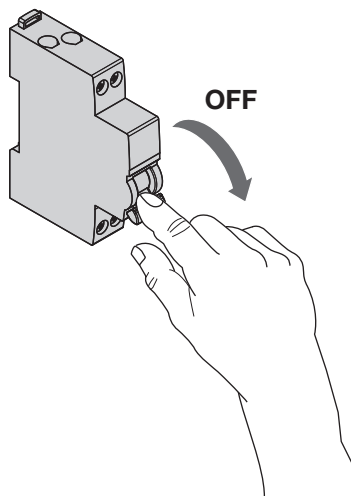


	230 VAC / 50/60 Hz	
Watt	2 – 150 W	LED 2 – 150 W
	-10 – 45°C	
	EN 60669-1, EN 60669-2-1	
Overload, - Overheat, - Short circuit protected		

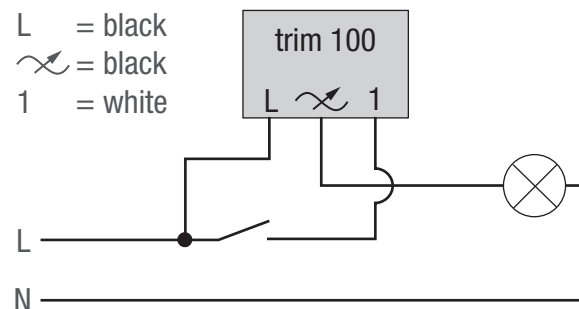
<https://graesslin.co.uk/product/trim-100>



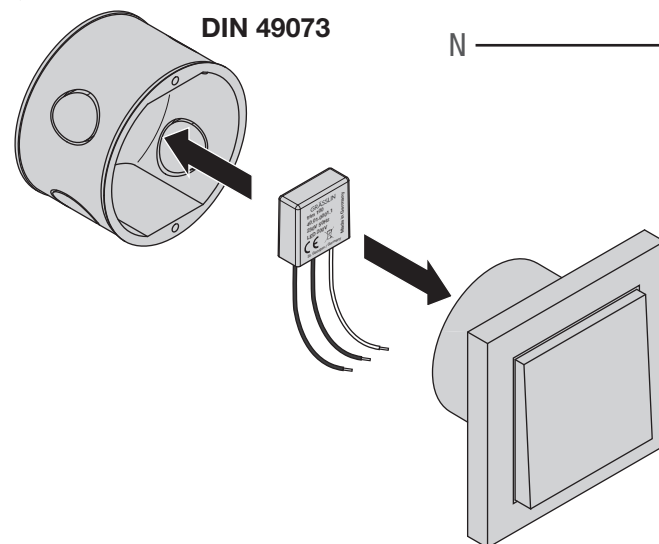
1



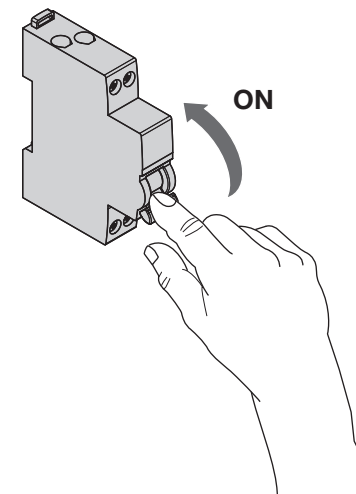
3

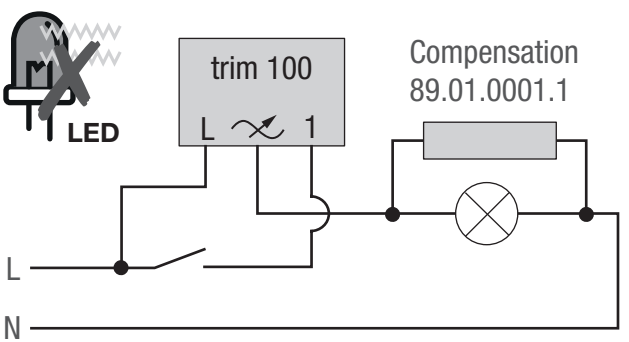
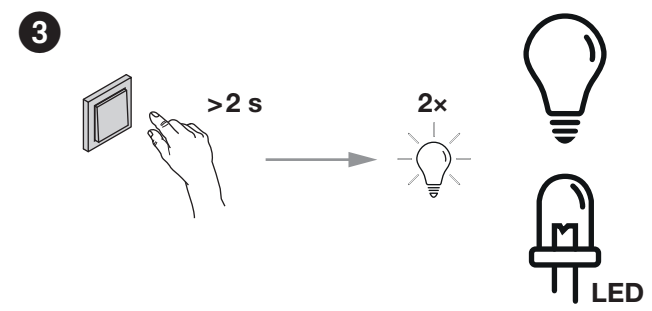
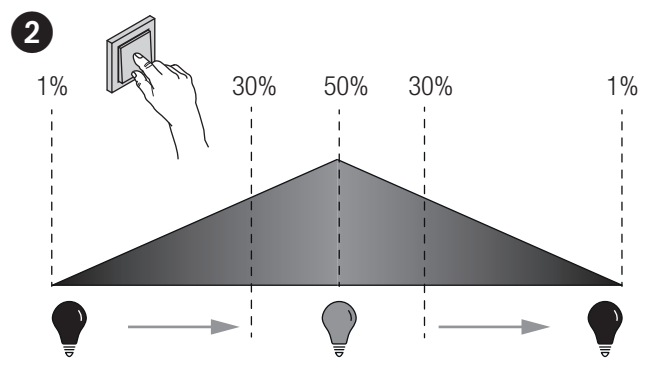
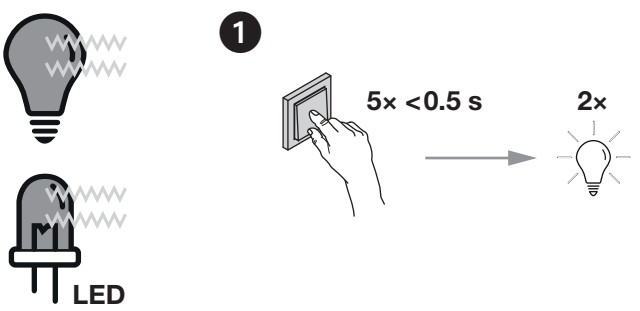
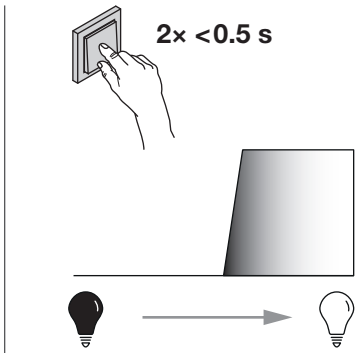
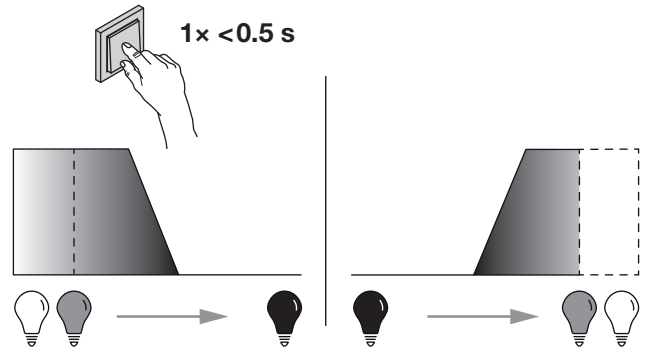
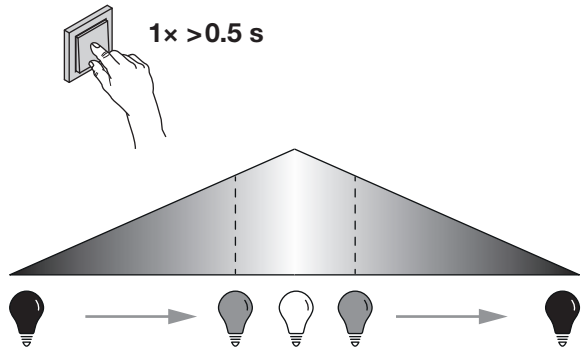


2



4





# GRÄSSLIN

Grässlin GmbH  
 Leopoldstraße 1  
 78112 St. Georgen  
 Germany  
 ☎ +49 7724 933-0  
 ✉ info@graesslin.de  
 🌐 www.graesslin.de